

Enabling Nanoscale Advances



Accurion Nano

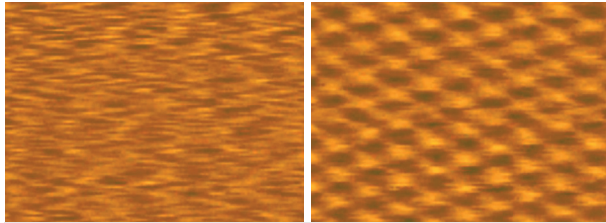
Active Vibration Isolation Desktop Unit



Accurion Nano

Active Vibration Isolation Desktop Unit

The Accurion Nano series consists of two ultra-compact active vibration isolation systems: namely, the Nano 20, which is the world's smallest active isolation system, and a slightly larger version, the Nano 30. The Nano systems are designed such that they are ideal for small and light-weight applications. One very good example is the use of these with entry-level atomic force microscopes. The system does not require any load adjustment. Once the transportation lock is released, the isolator is ready to be used. No further action is required from the users.



Atomic-scale image of highly oriented pyrolytic graphite (HOPG) without and with active vibration isolation

Because of its design simplicity, the price of the Nano series is very affordable. In addition, the Nano systems have a small external controller. A major advantage of this is the isolator does not generate heat.

This is important for heat critical applications and applications that are used inside an acoustic enclosure. Potential EMC interferences coming from the electronics are minimized, as the controller can be placed away from the application.

One accessory to our active vibration isolation systems are specially designed welded support frames. These frames feature a high horizontal and vertical stiffness and are the ideal basis for the optimal isolation performance of our systems. Different sizes of support frames are available to meet the requirements of our customers.



Accessories and Options

- Steel support frame
- Acoustic enclosure
- Metric mounting holes in top plate (M6 tapped holes on 25 mm centers)
- Imperial mounting holes in top plate (1/4"-20 tapped holes on 1" centers)

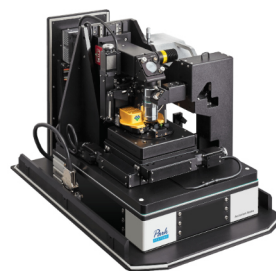
Selected Applications



▪ Accurion Nano 20 with Acoustic Enclosure 200



▪ Hardness Tester on Accurion Nano 30 (LNP® nano touch)



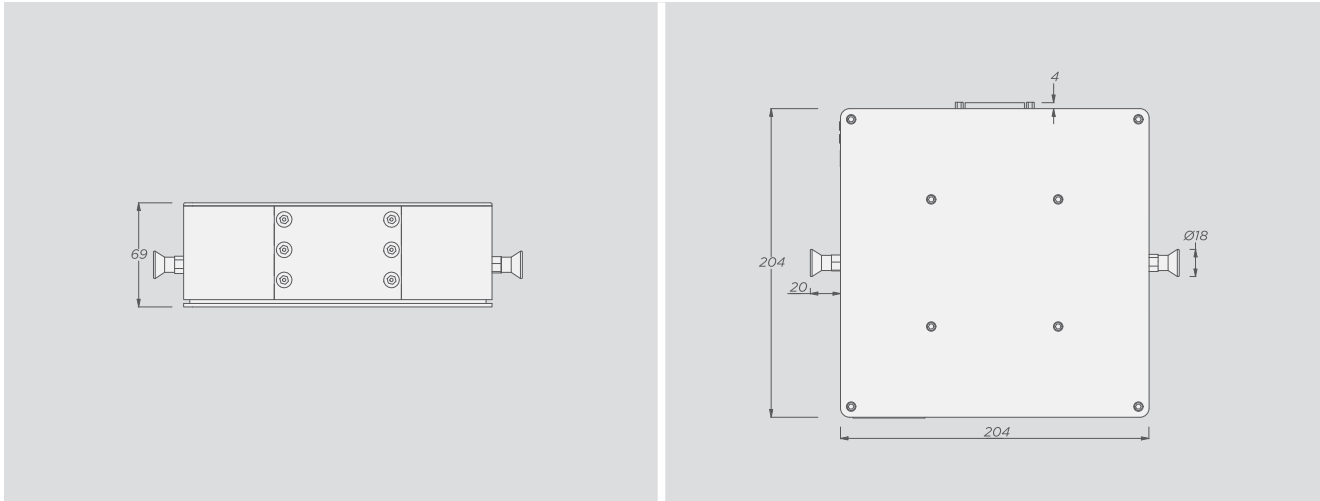
▪ Photo-induced Force Microscope on Accurion Nano 30 (Molecular Vista 75)



▪ 3D Optical Profilometer on Accurion Nano 30 (GBS Smart WLI)

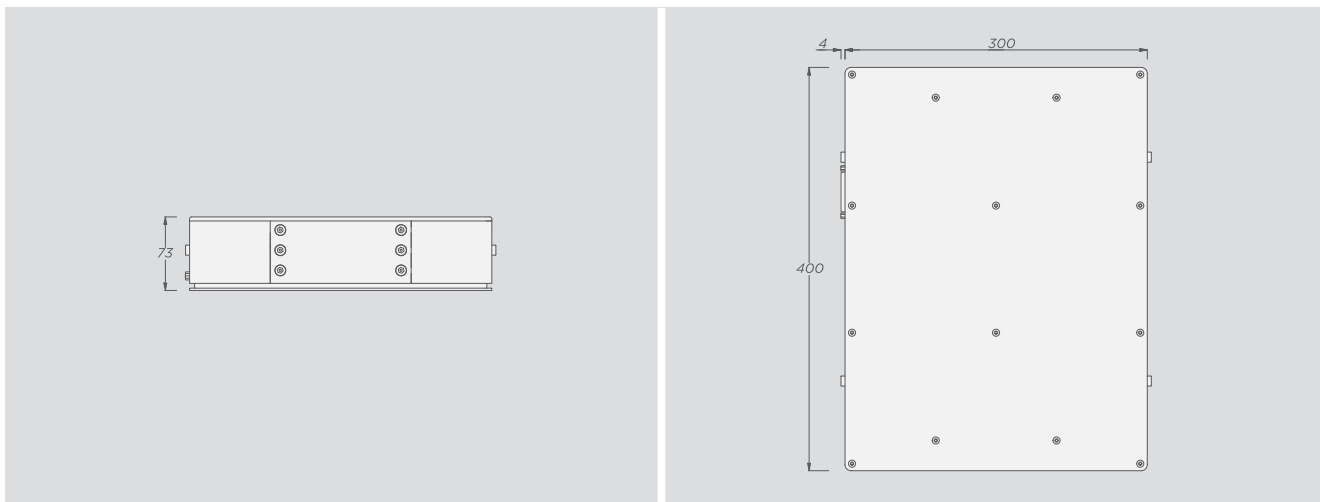
Nano 20

204 mm × 204 mm × 69 mm / 8.0" × 8.0" × 2.7"



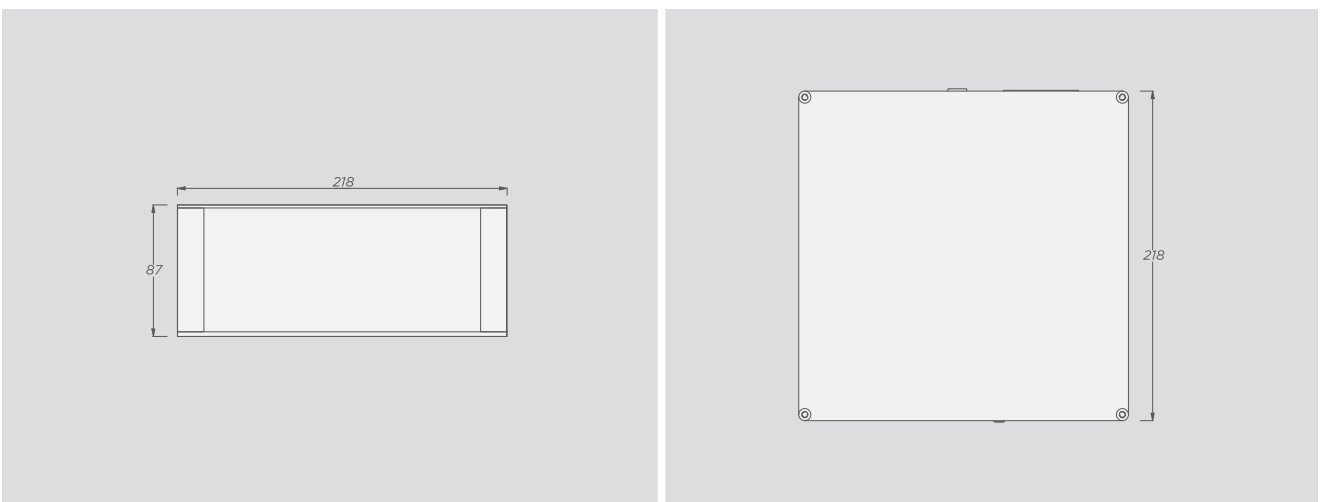
Nano 30

400 mm × 300 mm × 75 mm / 15.7" × 11.8" × 2.9"



Nano Control Electronics

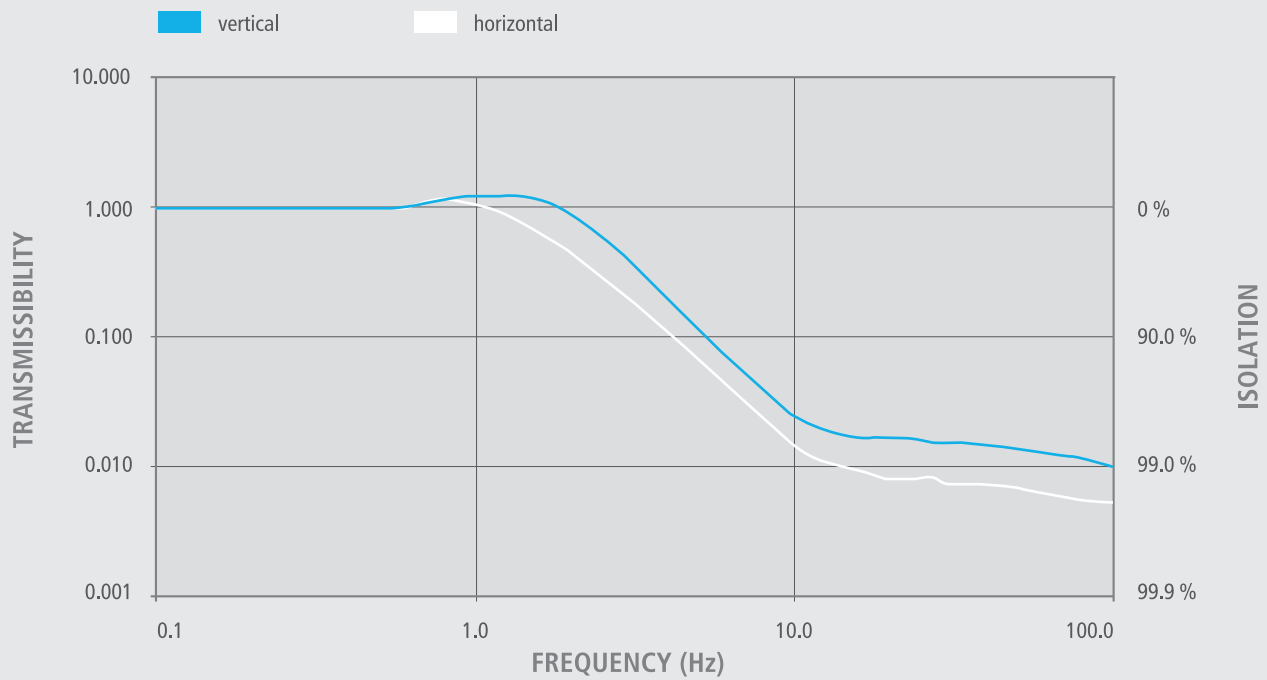
218 mm × 218 mm × 86 mm / 8.6" × 8.6" × 3.4"



Specifications	Nano 20	Nano 30
Dimensions	204 × 204 × 69 mm 8 × 8 × 2.7 inch	400 × 300 × 75 mm 15.7 × 11.8 × 2.9 inch
Load capacity	0 – 8 kg / 0 – 17.6 lbs	5 – 25 kg / 11 – 55 lbs or 10 – 30 kg / 22 – 66 lbs
Weight	Isolator: 5.6 kg / 12.6 lbs Control Unit: 2 kg / 4.4 lbs	Isolator: 11.3 kg / 24.9 lbs Control Unit: 2 kg / 4.4 lbs
Isolation technology	Accurion Nano control technology based on piezoelectric type acceleration pickup, fast signal processing and electro-dynamic force transducers.	
Control electronics	External control unit.	
Force directions	Active compensation in all six degrees of freedom.	
Isolation performance	> 5 Hz = 23 dB (93.0 %) > 15 Hz = 40 dB (99.0 %)	
Active bandwidth	1.0 – 200 Hz* (passive isolation beyond 200 Hz)	
Settling time	300 ms**	
Stroke of the actuator	1 mm	
Max. correction forces	Vertical ± 8 N	Horizontal ± 4 N
Max. compensation level	55 µm/sec. at 2 Hz and 8 kg / 17.6 lbs**, 350 µm/sec. at 6 Hz and 8 kg / 17.6 lbs**	
Environmental and operational requirements	Electrical voltage: 100 – 250 V~/47 – 63 Hz Power consumption: Typically 30 – 50 W Operating temperature: 16 – 40 °C / 61 – 104 °F Relative humidity: 0 – 60 % Operating altitude: < 2,500 m / 8,100 ft	
Certified according to:	2014/35/EU 2014/30/EU FCC Regulations Part 15.107 & 15.109 SI 2016:1091	

*Floating table top is supported by steel springs; low-pass characteristics of spring-mass combination dominates the dynamic behaviour above 200 Hz.

**The settling time and maximum compensation level depend on several conditions, such as payload, frequency, load distribution and height of the payload. For that reason this value should be considered as an estimation.



Transmission graph of the Accurion Nano 20 measured at a velocity of 100 $\mu\text{m}/\text{sec}$. with a payload of 8 kg (17.6 lbs).

Key Features

- Active vibration isolation starts at 1 Hz (passive isolation above 200 Hz).
- Isolation in all six degrees of freedom.
- Ultra-compact and portable.
- External control unit.
- Easiest handling – no tuning or load adjustment required.
- Provides better vibration isolation (> 99.0 % isolation above 15 Hz) than large optical tables.
- Ideal for small and light-weight applications.
- No natural low frequency resonance and, as a result, excellent vibration characteristics also in frequency ranges below 5 Hz.
- No compressed air supply is needed, AC power from an electrical outlet is sufficient.
- Excellent position stability and stiffness.
- Two-year warranty.
- Moderate pricing.
- Long term tests and quality control procedures.



Park Systems GmbH - Accurion

Park Systems GmbH previously known as Accurion GmbH is a leading provider of high-end, state of the art imaging ellipsometry and active vibration isolation products. Accurion was merged into Park Systems Corporation in 2022 to boost its R&D resources and expand its sales network to better serve its customers.

Park Systems is a world leading manufacturer of nano metrology-microscopy solutions including the atomic force microscopy (AFM), white light interferometry and infrared spectroscopy systems. It provides complete range of nano metrology and microscopy products for researchers and engineers in the chemistry, materials, physics, life sciences, semiconductor, and data storage industries.

Prior to merger with Park Systems, Accurion was previously known as Nanofilm Technology GmbH, a spin-off from the Max Planck Institute for biophysical chemistry in Goettingen. In 1991, the company began designing the Brewster angle microscope for the characterization of ultrathin films. In 1996, the company's division of active vibration isolation was established. In 2009, Halcyonics GmbH, a specialist in active vibration isolation solutions, merged with Nanofilm Technology GmbH to form Accurion GmbH.

Park Systems Americas

+1-408-986-1110 (USA)
+52-55-7100-2354 (Mexico)

Park Systems Europe

+49 (0)-621-490896-50 (Germany)
+33 (0)-6-07-10-87-36 (France)
+44 (0)-115-784-0046 (UK&Ireland)

Park Systems GmbH - Accurion

+49-551-999600 (Germany)

Park Systems Japan

+81-3-3219-1001 (Japan)

Park Systems Greater China

+86-10-6254-4360 (China)
+886-3-5601189 (Taiwan)

Park Systems SE Asia

+65-6634-7470 (Singapore)

Park Systems Korea

+82-31-546-6800 (Republic of Korea)

Park Systems India

+91-96869 51464 (India)

Park Systems Corporate Headquarters

To learn more about Park Systems, please visit www.parksystems.com or e-mail inquiry@parksystems.com

KANC 15F, Gwanggyo-ro 109, Suwon 16229, Korea Tel. +82-31-546-6800
©2023 Park Systems Corp. All rights reserved. All products and features are subject to change.
All brand names and logos are trademarks of their respective companies.
No part of this publication may be reproduced or distributed without the express written permission of Park Systems Corp.

